

NOTE:

1. MATERIAL:

HSG - HIGH TEMPERATURE THERMOPLASTIC,
UL 94V-0, COLOUR BLACK

PIN - 0.50 SQ PHOSPHOR BRONZE

2. PLATING:

**50 / **52 - 0.38um MIN GOLD PLATE AT CONTACT AREA,
TIN PLATE AT SOLDER AREA,
BOTH OVER NICKEL UNDERPLATE

**51 - 0.76um MIN GOLD PLATE AT CONTACT AREA,
TIN PLATE AT SOLDER AREA,
BOTH OVER NICKEL UNDERPLATE

(** - REPRESENTS DIFFERENT CKT SIZE . SEE TABLE AT SHT 2)

3. PIN PUSHOUT FORCE: 1KG MIN IN EITHER DIRECTION

4. PRODUCT SPEC PS-87761-100 APPLIES.

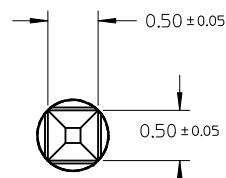
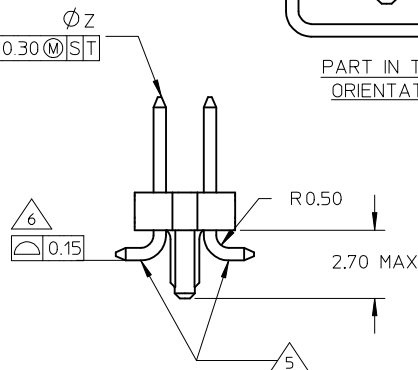
5 BEND DEPRESSION IS ACCEPTABLE SO LONG AS IT DOES NOT
AFFECT THE OVERALL COPLANARITY OF TAIL.

6 COPLANARITY IS TO BE MEASURED BY RESTING THE SOLDER TAIL
ON A FLAT SURFACE.

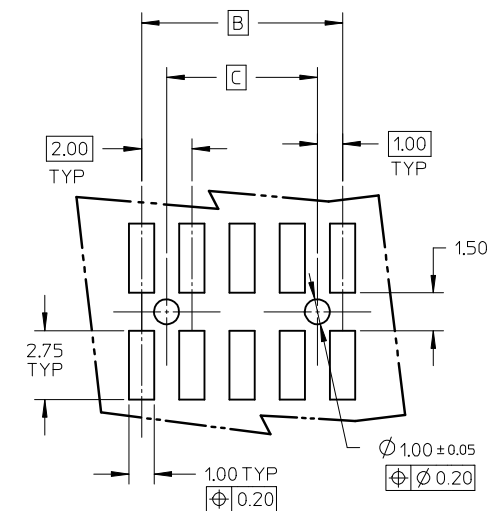
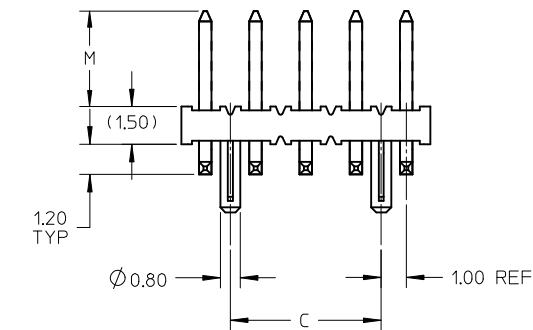
7. FOR ILLUSTRATION PURPOSES, 10CKT IS SHOWN

8. TUBE LENGTH IS 560MM REF STANDARD.

9. RECOMMENDED PCB BOARD THK IS 1.60±0.10 MM.



DETAIL Y


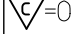
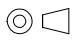



PDR#S-001876-00-00 EC NO: S2009-0182 DRWN:SKANG 2008/09/24 CHKD:ATSEE 2008/09/24 APPR:MLONG 2008/09/25	QUALITY SYMBOLS	GENERAL TOLERANCES (UNLESS SPECIFIED)	DIMENSION STYLE	SCALE	DESIGN UNITS	THIRD ANGLE PROJECTION														
	<p>▽=0</p> <p>∠=0</p>	<table border="1"> <thead> <tr> <th></th> <th>mm</th> <th>INCH</th> </tr> </thead> <tbody> <tr> <td>4 PLACES</td> <td>± ---</td> <td>± ---</td> </tr> <tr> <td>3 PLACES</td> <td>± ---</td> <td>± ---</td> </tr> <tr> <td>2 PLACES</td> <td>± 0.2</td> <td>± ---</td> </tr> <tr> <td>1 PLACE</td> <td>± ---</td> <td>± ---</td> </tr> </tbody> </table> <p>ANGULAR ± 3 °</p>		mm	INCH	4 PLACES	± ---	± ---	3 PLACES	± ---	± ---	2 PLACES	± 0.2	± ---	1 PLACE	± ---	± ---	MM ONLY	NTS	METRIC
	mm	INCH																		
4 PLACES	± ---	± ---																		
3 PLACES	± ---	± ---																		
2 PLACES	± 0.2	± ---																		
1 PLACE	± ---	± ---																		

DRAWN BY KSEE	DATE 2003/12/24	TITLE CUSTOM HEADER MGRID, 2MM DUAL ROW HDR WITH PEG, SMT
	CHECKED BY KCLING	
APPROVED BY SKTOH	DATE 2004/01/12	MOLEX INCORPORATED DOCUMENT NO. SD-87759-113 SHEET NO. 1 OF 2
MATERIAL NO.	SEE TABLE	

SIZE A3	THIS DRAWING CONTAINS INFORMATION THAT IS PROPRIETARY TO MOLEX INCORPORATED AND SHOULD NOT BE USED WITHOUT WRITTEN PERMISSION
------------	---

	10	9		8		7	6	5	4	3	2	1
	PART NUMBER WITHOUT CAP IN TUBE	CKT SIZE	A	B	C	M						
F	87759-0850/0851	08	7.90	6.00	4.00	3.80						
	87759-0852	08	7.90	6.00	4.00	9.60						
	87759-1050/1051	10	9.90	8.00	6.00	3.80						
	87759-1250/1251	12	11.90	10.00	8.00	3.80						
	87759-1450/1451	14	13.90	12.00	10.00	3.80						
	87759-1650/1651	16	15.90	14.00	12.00	3.80						
E	87759-1850/1851	18	17.90	16.00	14.00	3.80						
	87759-2050/2051	20	19.90	18.00	16.00	3.80						
	87759-2250/2251	22	21.90	20.00	18.00	3.80						
	87759-2450/2451	24	23.90	22.00	20.00	3.80						
	87759-2650/2651	26	25.90	24.00	22.00	3.80						
	87759-2850/2851	28	27.90	26.00	24.00	3.80						
D	87759-3050/3051	30	29.90	28.00	26.00	3.80						
	87759-3250/3251	32	31.90	30.00	28.00	3.80						
	87759-3450/3451	34	33.90	32.00	30.00	3.80						
	87759-3650/3651	36	35.90	34.00	32.00	3.80						
	87759-3850/3851	38	37.90	36.00	34.00	3.80						
	87759-4050/4051	40	39.90	38.00	36.00	3.80						
C	87759-4250/4251	42	41.90	40.00	38.00	3.80						
	87759-4450/4451	44	43.90	42.00	40.00	3.80						
	87759-4650/4651	46	45.90	44.00	42.00	3.80						
	87759-4850/4851	48	47.90	46.00	44.00	3.80						
	87759-5050/5051	50	49.90	48.00	46.00	3.80						

PDR#S-001876-00-00 EC NO: S2009-0182 DRWN:SKANG 2008/09/24 CHKD:ATSEE 2008/09/24 APPR:MLONG 2008/09/25	QUALITY SYMBOLS  =0  =0	GENERAL TOLERANCES (UNLESS SPECIFIED)		DIMENSION STYLE MM ONLY		SCALE NTS	DESIGN UNITS METRIC	 THIRD ANGLE PROJECTION			
				DRAWN BY KSEE	DATE 2003/12/24	TITLE CUSTOM HEADER MGRID, 2MM DUAL ROW HDR WITH PEG, SMT					
				CHECKED BY KCLING	DATE 2004/01/12	 MOLEX INCORPORATED					
				APPROVED BY SKTOH	DATE 2004/01/12	MATERIAL NO. SEE TABLE		DOCUMENT NO. SD-87759-113			SHEET NO. 2 OF 2
				DRAFT WHERE APPLICABLE MUST REMAIN WITHIN DIMENSIONS		THIS DRAWING CONTAINS INFORMATION THAT IS PROPRIETARY TO MOLEX INCORPORATED AND SHOULD NOT BE USED WITHOUT WRITTEN PERMISSION					